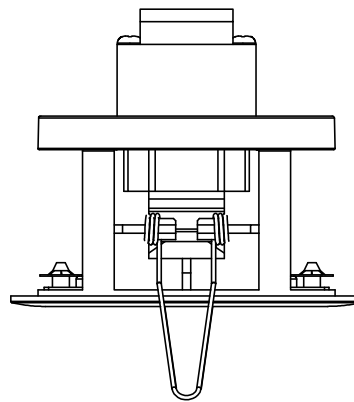
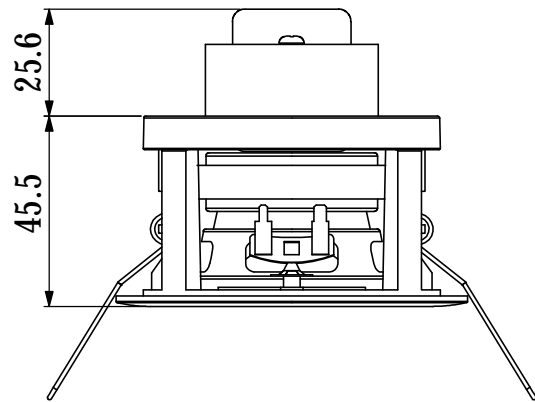
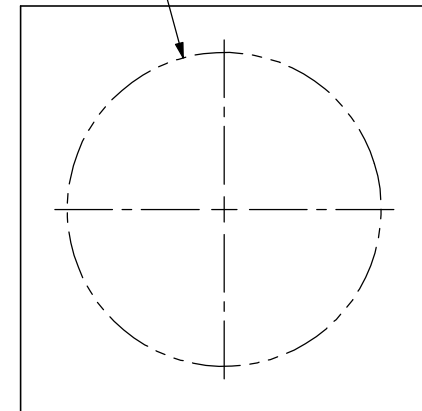


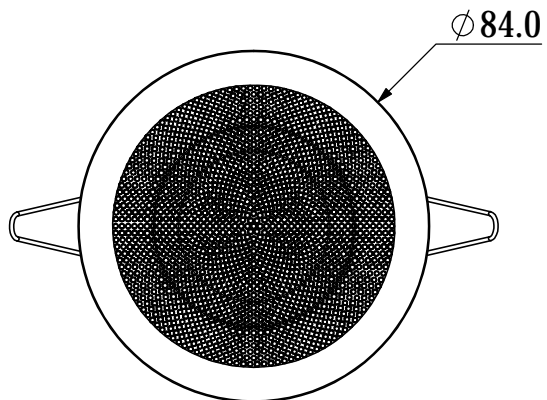
Transformer EI-41 6-3-1.5W/100V



$\phi 75.0 \pm 4$



CUTOUTS DIAMETER OF  $\phi 75 \pm 4$  mm



**EDL-22/WS**

RB