

UDA-49AP

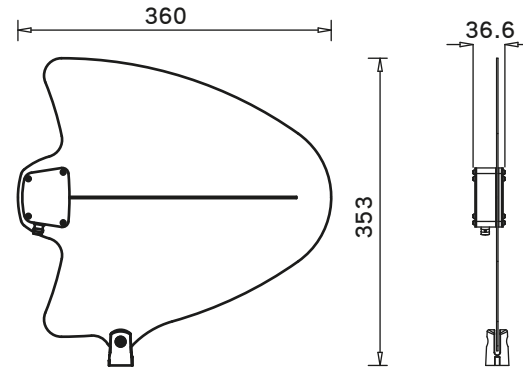
Active/Passive UHF Directional Antenna

Thanks for choosing JTS Active/Passive UHF Directional Antenna. In order to obtain the best efficiency, you are recommended to read this manual before applying. UDA-49AP is an active/passive directional antenna which enhances the reception of the desired signal, providing multiple gain booster setting for users to complete their wireless receiving system.

■ SPECIFICATION

Frequency Band: 470~960 MHz
 Effective Working Angle: 100 degree
 Net Weight: 400g
 Antenna Gain: 10dB
 Power Dissipation: 12V / 65mA
 Active Mode Gain: +15dB / +5dB / -5dB (TYP)
 Passive Mode Gain: Bypass (1dB attenuation)

■ DIMENSIONS(mm)



■ INSTALLATION

1. Select the booster gain according to the antenna cable length:
 RG-58/U antenna cable loss: (50dB/100M) @ 1GHz / (30dB/100M) @ 400MHz
2. Connect one end of antenna cable to the antenna. Connect the other end of cable to the wireless receiver or antenna distribution system.
3. UDA-49AP is in Active Mode when the LED light (red/green/blue) is on. Press Gain button for 1 second until the LED light flashes, release the button and switch the booster gain respectively.
 - (1) RED: +15dB
 - (2) GREEN: +5dB
 - (3) BLUE: -5dB
4. UDA-49AP is in BYPASS Mode when long press the Gain button for 3 seconds and the Amber light is on. Switch back to Active Mode when long press the Gain button again.
5. UDA-49AP is in Passive Mode when no lights (no power is provided) are on.
6. Walk around and find out the optimum location for UDA-49AP.
7. For better performance, it is recommended to use two UDA-49AP with diversity wireless systems.

